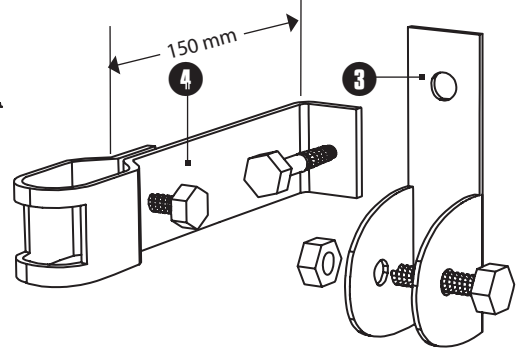
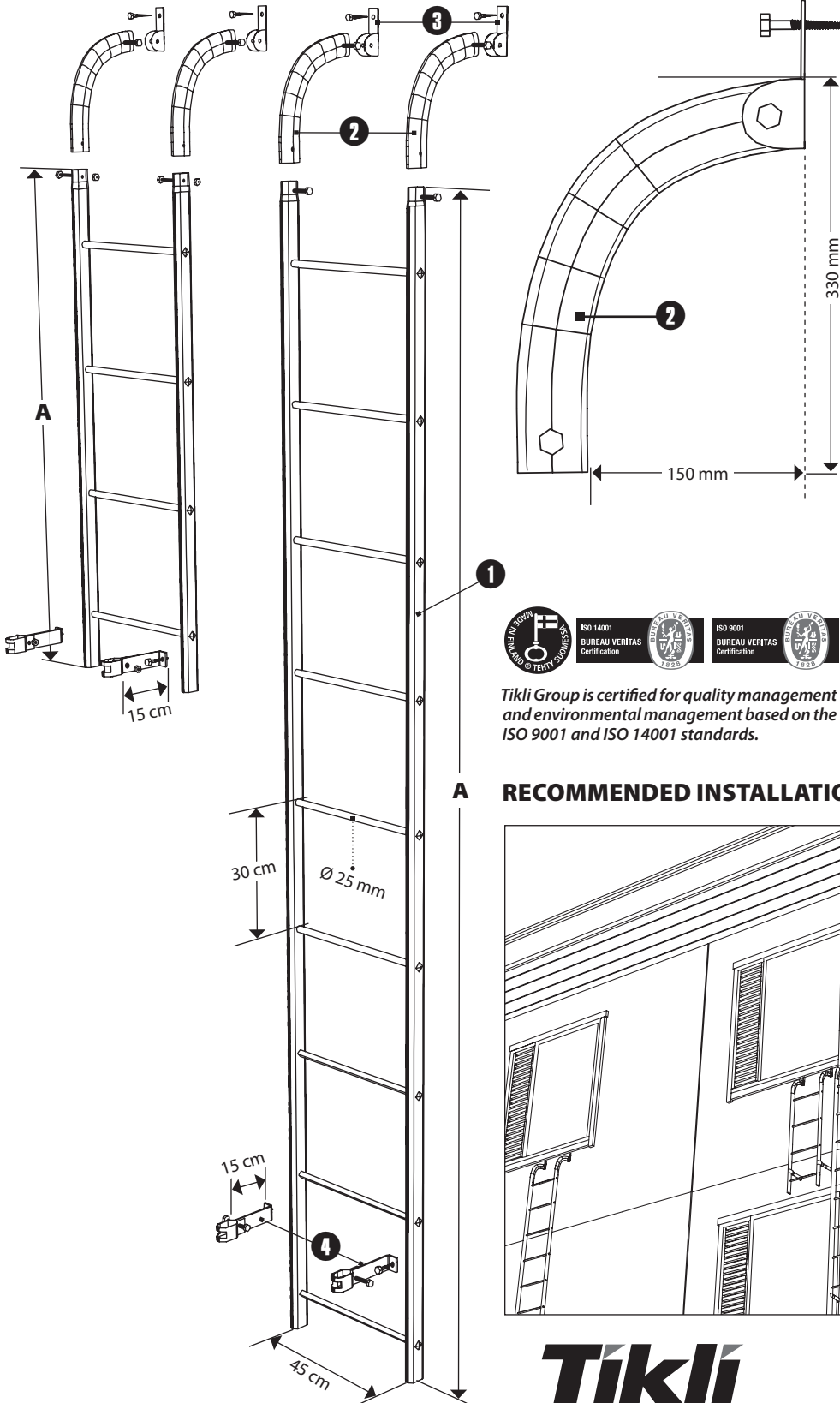


Safety Ladder

ASSEMBLING INSTRUCTION

- Top curve **2** is fixed to the safety ladder **1** with **8x40** screw + nut.
- The ears **3** are fastened to top curve **2** with **8x40** screws + nut.
- Wall fastener of safety ladder **4** is fastened to the stepladder **1** with **8x20** screw + nut.



PART LIST:

No.	Item	pcs
1	Tikli 45 module stepladder	-
2	Top curve of the safety ladder	2
3	Upper ear of safety ladder	2
4	Wall fastener of safety ladder	2
5	Screw 8x20 mm + nut	2
6	Screw 8x40 mm + nut	4
7	HWA -screw 7x50 mm	4

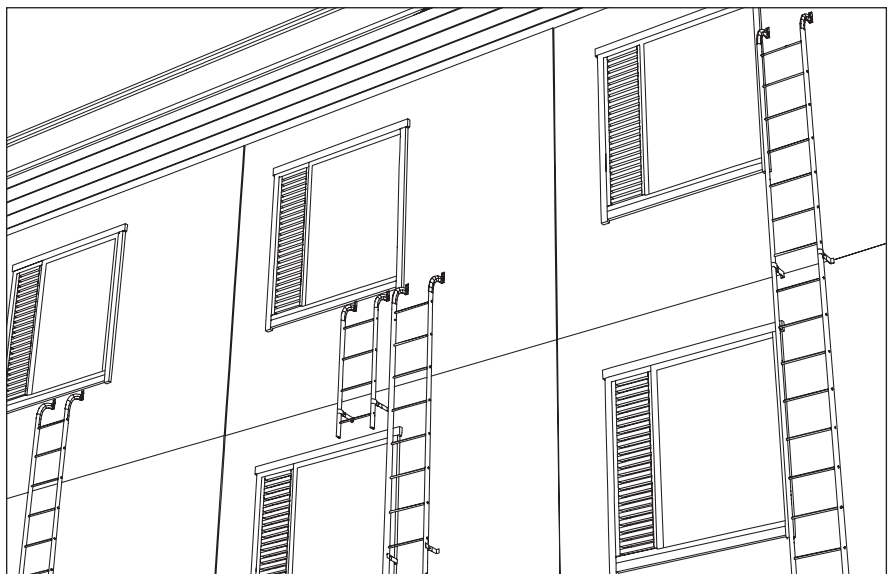
STEPLADDERS MEASURES

A m	Steps
1,20	4
2,40	8
3,00	10
3,60	12
4,20	14

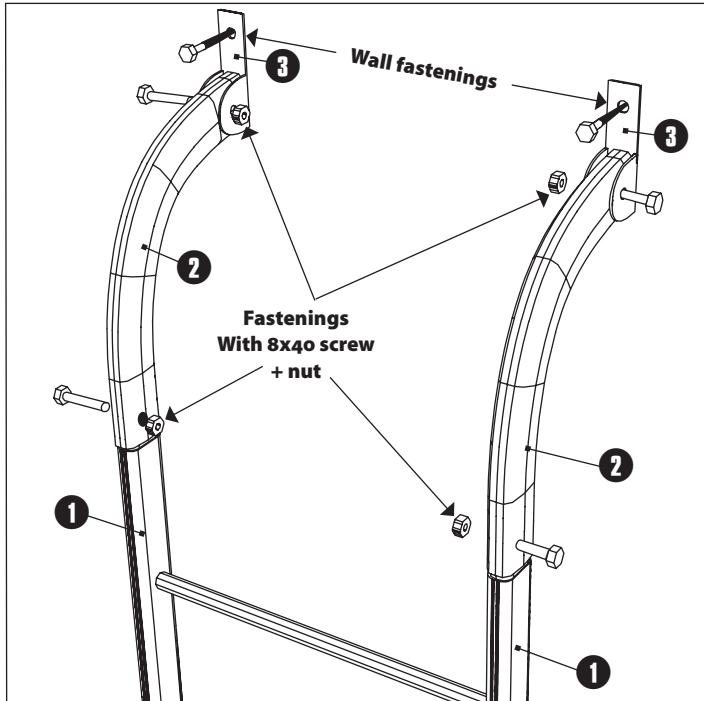


Tikli Group is certified for quality management and environmental management based on the ISO 9001 and ISO 14001 standards.

A RECOMMENDED INSTALLATION WAYS



Installation instruction of Safety Ladders



INSTALLATION

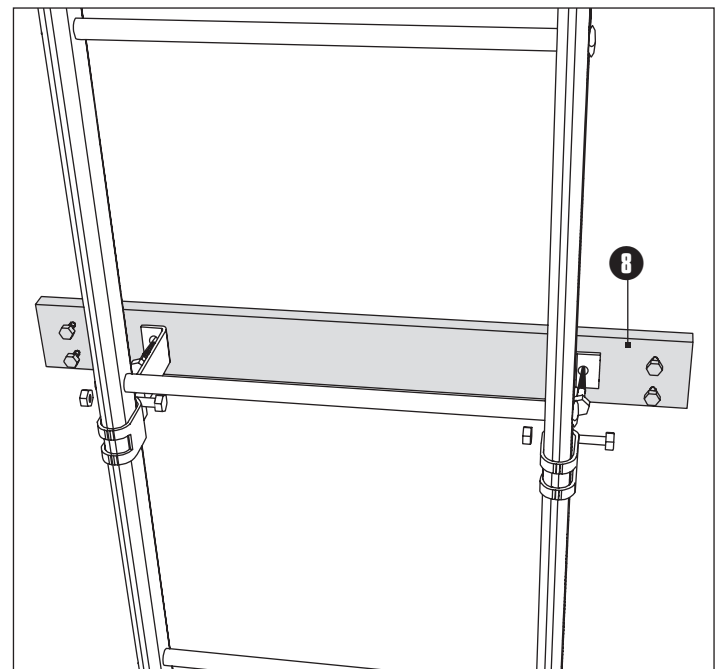
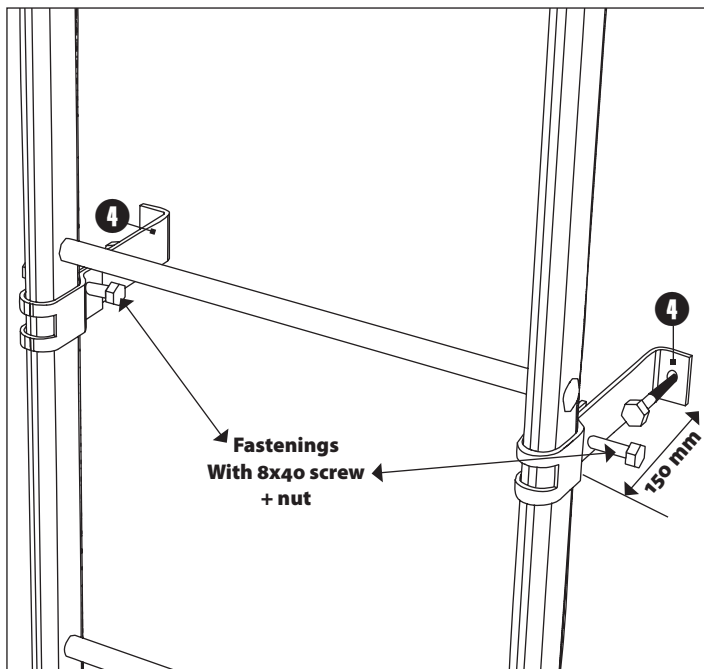
1. Fix curves of the safety ladders (**part 2**) to ladders (**part 1**) with **8x40** screw + nut.
2. Fix upper ears of the safety ladder (**part 3**) to curves (**part 2**) upper end with **8x40** screw + nut.
3. Fasten the wall brackets (**part 4**) to the stepladder with **8 x 20 mm** screw + nut. Notice that wall feet are worth fixing below the step in which case fastening is more robust.
4. Fit stepladders on place and fix upper curves (**part 2**) on the wall.
5. Fix the wall feet to the wall.

IMPORTANT

- The wall fastening must be performed as permanently as possible to body constructions.
- Wall foot (**part 1**) and upper ear (**part 3**) is fixed to wood with **HWA-screws 7x50 mm (part 7)** and to concrete with key screws.
- Space of wall brackets < **3 m**.

HINTS

- If wall feet cannot be fixed directly to the body constructions, fastening can be made using example band iron or wood as help. **8**



MAINTENANCE

Stepladders and safety roof products are long-lived and safe in use. This is guaranteed by constant quality control and development of **Tikli Group** and by use instructions which must be performed according installation instructions. The user must make the following annual inspections and service operations to secure safe use and performance of products.

MEASURES TO BE PERFORMED:

- Checking of joints (**tightening of bolts, etc.**).
- Checking of wall and roof fastenings.
- Checking of the compactness of perforation sections of roof fastenings.
- Cleaning of the excessive snow load to minimise the stress of structures and joints (**several times in winter if needed**).
- Checking of the surface painting and zinc coating of products and correction and repair painting of local faults.