

## Roof ladder installation instructions for the Classic seam roofing

### General information

The roof ladder is compliant with the SFS-EN 12951 standard's Class C2-TB requirements.

A safety rope can be attached to the ladder. NB: Attaching the rope to the steel and plastic support legs of the ladder is forbidden.

Only one person, weighing no more than 150 kg

The roof ladder is meant to be used on sketch plate and corrugated roofing with a maximum pitch of 1:2.5.

### Installation

For your safety, please prepare for the roof ladder installation while on the ground. Measure the length of the pane or the length of the extension to, e.g., the roof bridge and the batten interval used, and prepare the roof ladder for installation on the ground. Lift the now-prepared roof ladder onto the roof for attachment. The length extensions are best handled from the roof. Please try not to scratch the roof's coating when moving the ladder on the roof.

The roof ladder should be installed on the roof such that the first step of the ladder is no more than 400 mm from the last step of the wall ladder.

The wall ladder is attached to the roof ladder with U-supports.

For more information on attaching the wall ladder to the roof ladder, please see the wall ladder installation instructions.

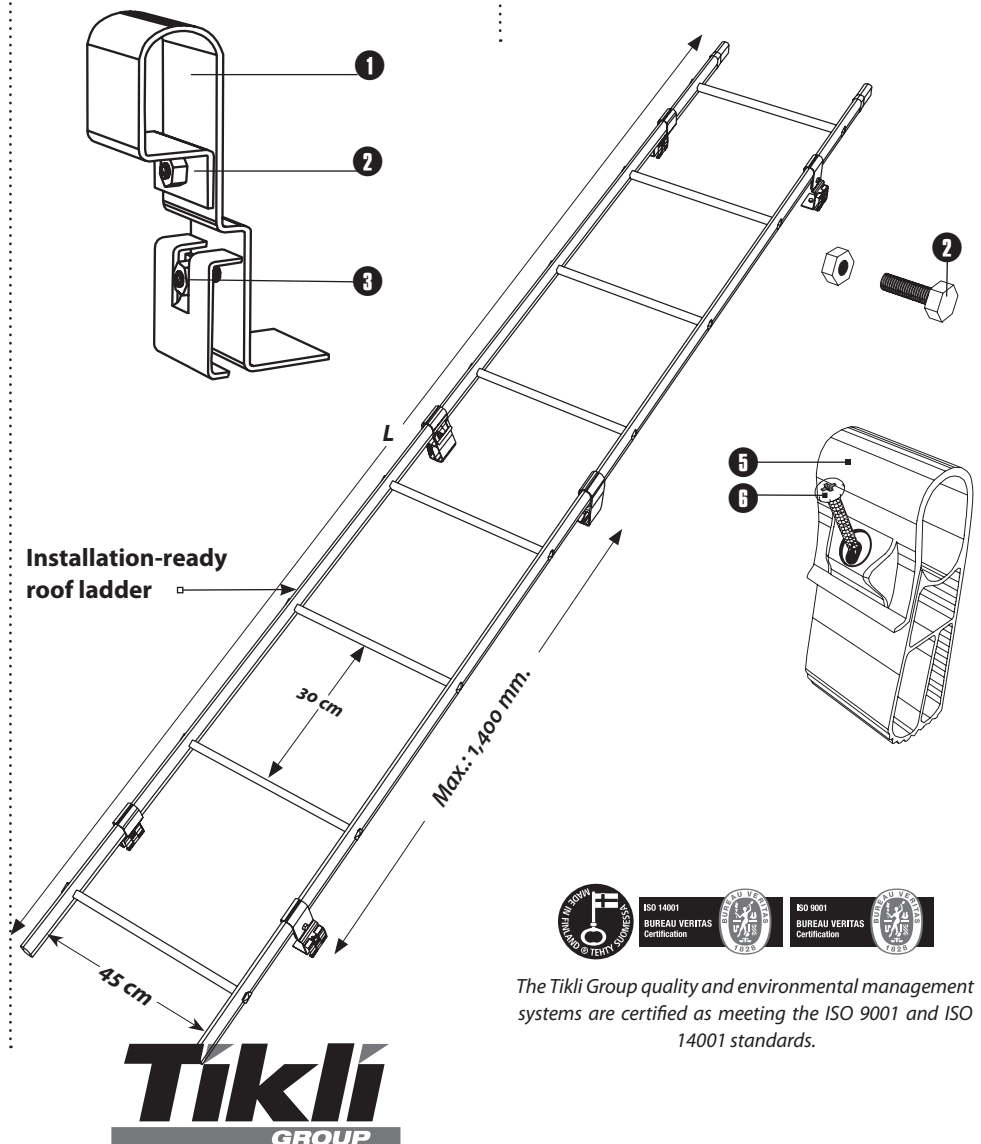
The length of the roof ladder from the eaves to the ridge is measured by subtracting 200 mm from the length of the pane. Otherwise, the roof ladder is shortened to the appropriate length on the basis of the place of installation or the purpose of use. Shorten the roof ladder from the tapered end of the ladder rails. We recommend that you use a hacksaw.

This roof ladder is available in the following lengths:

| Length (m) | Steps |
|------------|-------|
| 2.4        | 8     |
| 3.0        | 10    |
| 3.6        | 12    |
| 4.2        | 14    |

The Classic roof ladder installation kit includes the following items:

| Item   | pcs. |
|--|------|
| 1 Support leg / Classic                              | 4    |
| 2 Tightening screw for support leg, M 8x20 + nut     | 4    |
| 3 Locking screw for support leg, M 8x20 + nut        | 4    |
| 4 Union screw for the length extension, M 8x40 + nut | 2    |
| 5 Plastic support leg                                | 6    |
| 6 Plastic support leg screw, 6x40                    | 6    |



The Tikli Group quality and environmental management systems are certified as meeting the ISO 9001 and ISO 14001 standards.

## Roof ladder installation instructions for the Classic seam roofing

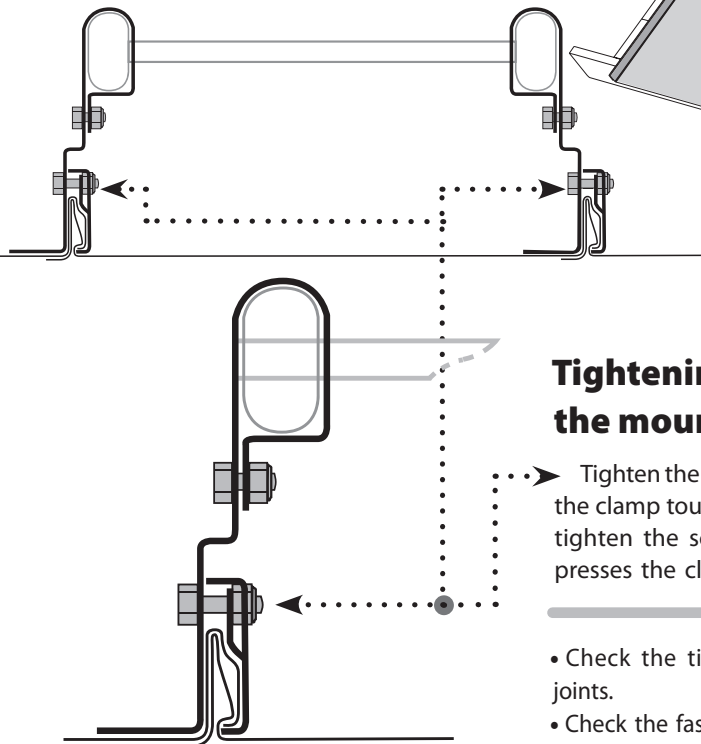
Each bracket is installed against the seam of the Classic roofing so that the bracket is on the opposite side of the lock seam.

Note that the package includes two types of brackets as shown in the figure below. The clamp is fitted on the lock seam side and attached to the bracket with a galvanized 8x30 lock bolt.

During installation, ensure that the lower edge of the clamp is not above the lock seam but is correctly fitted in the groove below the lock seam.

If the bracket is not properly installed, it cannot be fully tightened and the joint is loose.

### Mounting the steel support legs on the Classic seam roofing



### Tightening the mounting screws

Tighten the bracket screw until the end of the clamp touches the bracket frame. Then tighten the screw three more turns. This presses the clamp body against the seam

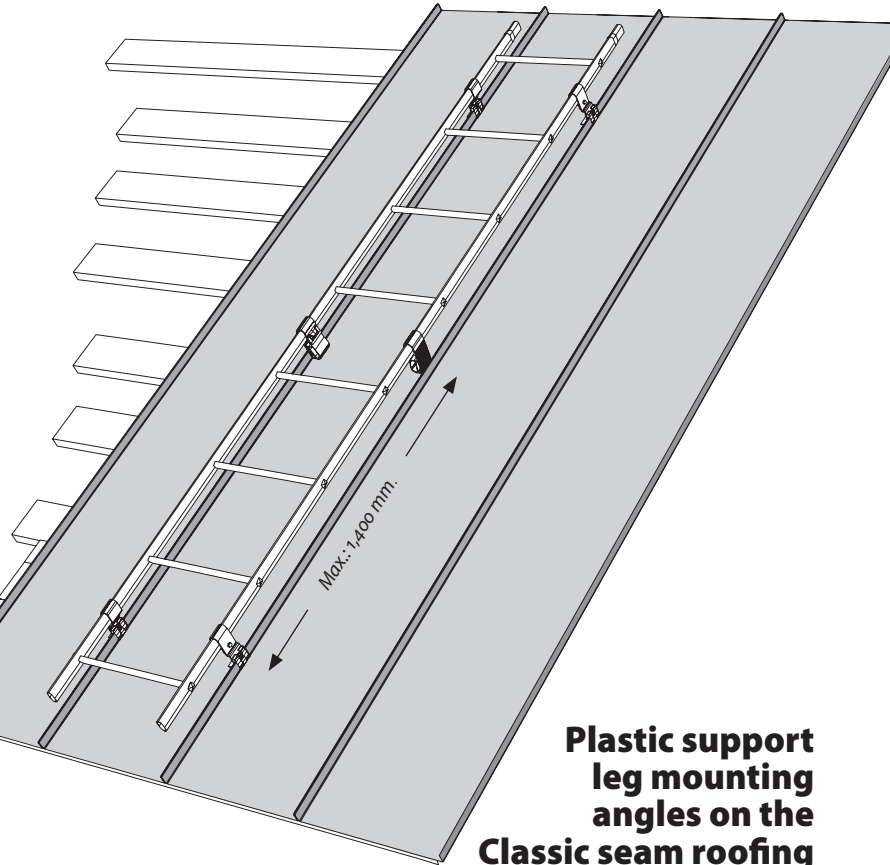
and prevents the bracket from moving. The bracket is now properly installed.

- Check the tightness of all nut and bolt joints.
- Check the fastening of the support legs to the ladder frame and the battens.
- Make sure that the support leg seal is tight. The seal should be undamaged and in the right place.
- Fix the coating of the ladder by painting over any damage to the top coat. If the metal underneath the top coat is damaged, the damaged area should be primed with

**Teknos Inerta Primer ground coat.** This is not necessary for minor damage. The top coat touch-up work should be performed with **Teknodur 0190 polyurethane paint**. Please follow the instructions provided by the paint manufacturer.

### Maintenance

The roof ladder is designed and manufactured to be durable and safe. To ensure the safe use and durability of the product, the user must perform the following annual maintenance procedures:



Plastic support leg mounting angles on the Classic seam roofing

